



Alpha

Unlimited flexibility

With the Alpha, both framed and unframed photovoltaic modules can be easily mounted on pitched roofs of various types¹.

Significant savings

Alpha has been specifically designed towards minimum installation times. A high degree of pre-assembly, intelligent design of the connections and the use of a single tool on the roof all result in a sizeable reduction in installation time and the according cost.

Millimetre accuracy without cutting

The use of telescoping allows the system to be installed with millimetre accuracy, without trimming or cutting to size.

Excellent adaptability

The option of vertically adjusting the base rails allows a level PV array to be established, in spite of height variations in the roof surface.

Static reliability assured

Using Mounting Systems' configuration software, the material for any standard configuration can be calculated in minutes, project-specific, auditable static verification (based on the applicable national norms) included.

Maximum service life

All components are made of extruded aluminium and stainless steel. This choice of material guarantees both full recyclability and a maximum service life due to high resistance to corrosion.



On-roof



Unframed module



Framed module



Orientation
portrait



Orientation
landscape



Double Roman
Tiles



Slate



Plain Tiles



Corrugated metal



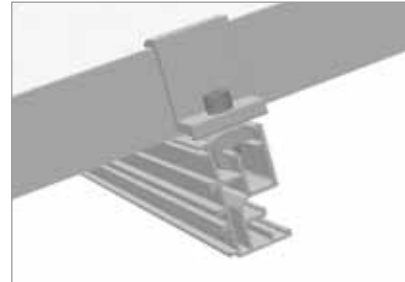
Bitumen shingles



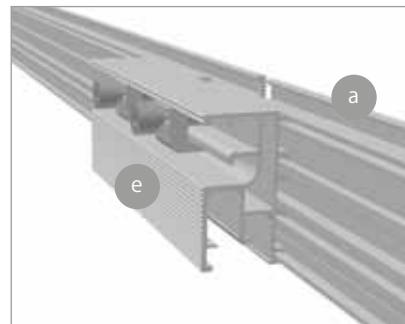
Mechanical load test
in accordance with
IEC 61215:2005

¹ Alpha is compatible with nearly all types of roof coverings. For detailed information, please contact us during the planning stages of your project.

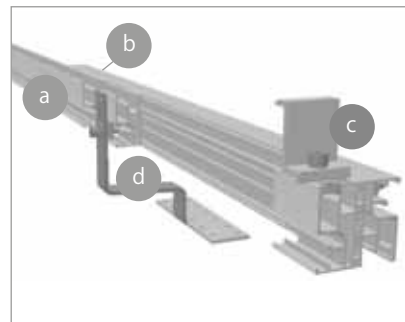
Application	<i>Pitched roof – on-roof</i>
Roof cladding	<i>Suitable for most types of roof cladding</i>
Roof slope	<i>Up to 60°¹</i>
Building height	<i>Up to 20 m¹</i>
PV modules	<i>Framed, unframed</i>
Module orientation	<i>Landscape, portrait</i>
Size of module array	<i>Any size possible²</i>
Position of the module array	<i>No special requirements</i>
Possible height compensation	<i>Up to 38 mm</i>
Distance between roof fixing points	<i>Up to 2 m¹</i>
Standards	<i>Eurocode 1 – Action on structures Eurocode 9 – Design of aluminium structures</i>
Certificates and material testing	<i>· GS mark: Guaranteed Safety · Mechanical load test 2,400 Pa (Conergy) in accordance with IEC 61215:2005</i>
Supporting profiles	<i>Extruded Aluminium (EN AW 6063 T66)</i>
Hooks, small parts	<i>Stainless steel (V2A)</i>
Colour	<i>Aluminium: plate finish</i>
Warranty	<i>10 years³</i>



Quickstone technology



Splice technology



Telescoping end-piece

- a** Base rail
- b** Telescoping end-piece
- c** Module end clamp
- d** Roof hook
- e** Splice

- 1** Different maximum values may apply, depending on site, building, choice of roof fixations and module type. Using the Alpha calculation tool, you can have the exact values for your specific project calculated quickly and easily.
- 2** Due to thermal expansion of the material, we recommend an interruption of the array after 12 m.
- 3** Please find the exact terms in the Mounting Systems GmbH warranty document.

For further information: www.mounting-systems.com
Subject to technical changes.
2013 © Mounting Systems GmbH